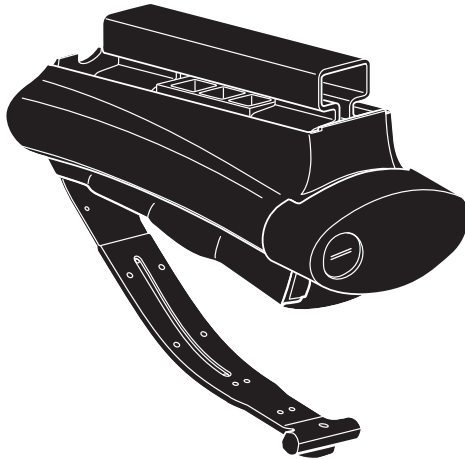


## Thule Rapid System 775

# > Instructions



ISO 11154-E

**CITY CRASH**

Complies with ISO norm



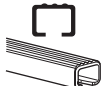
THULE WingBar



THULE SlideBar



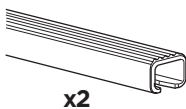
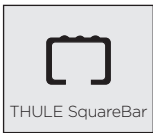
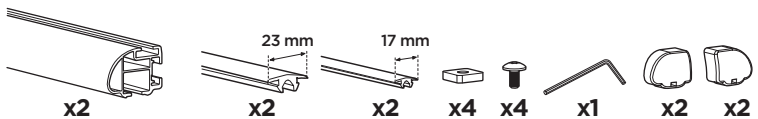
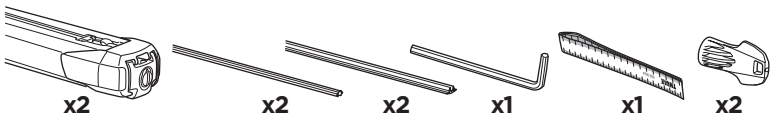
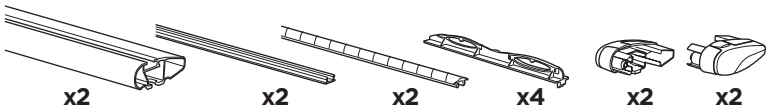
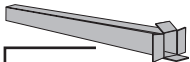
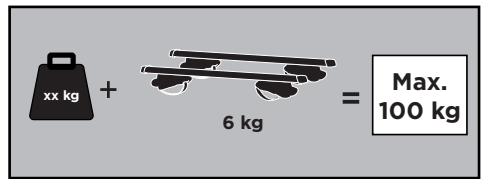
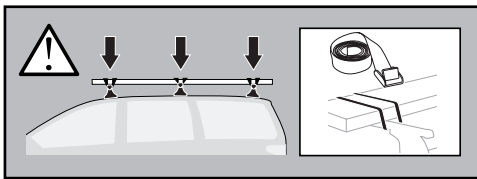
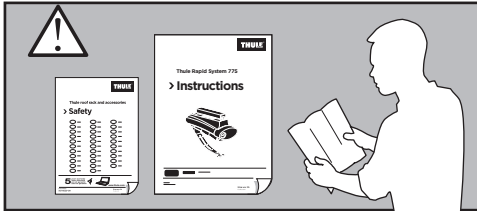
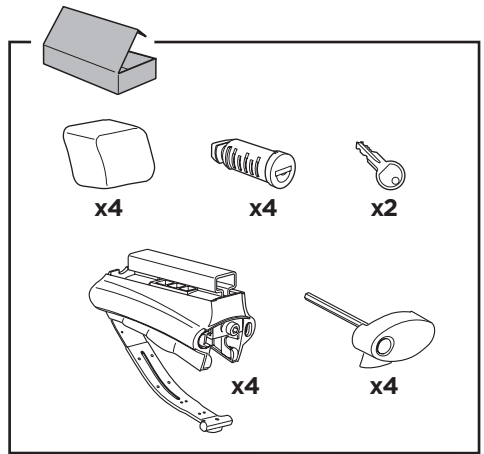
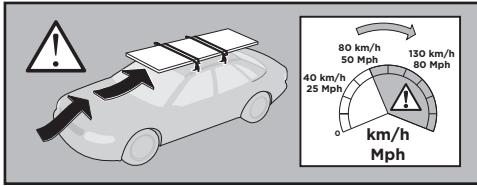
THULE ProBar



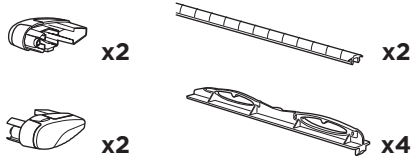
THULE SquareBar

**775000**

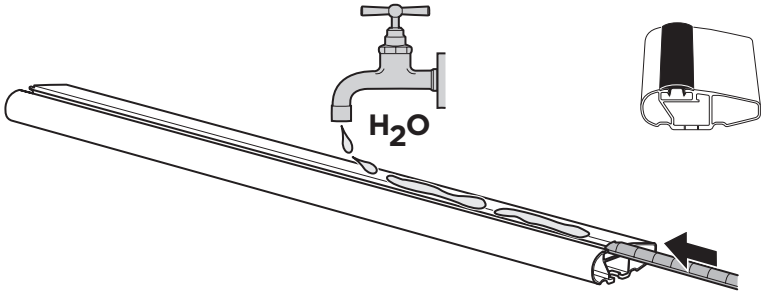
C.20150501  
501-6882-06



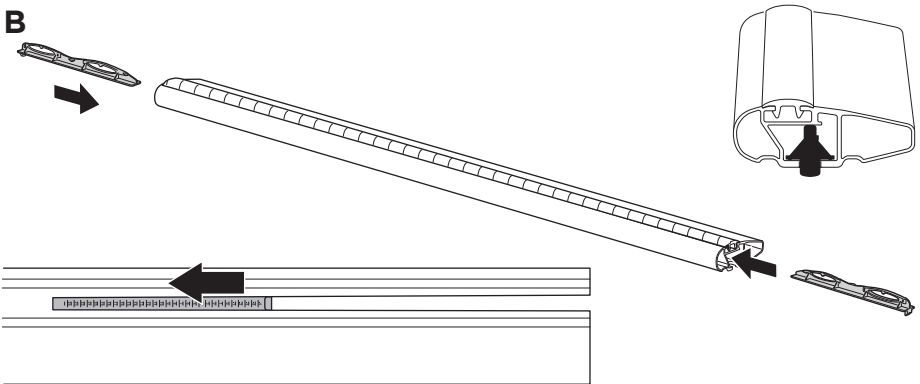
1



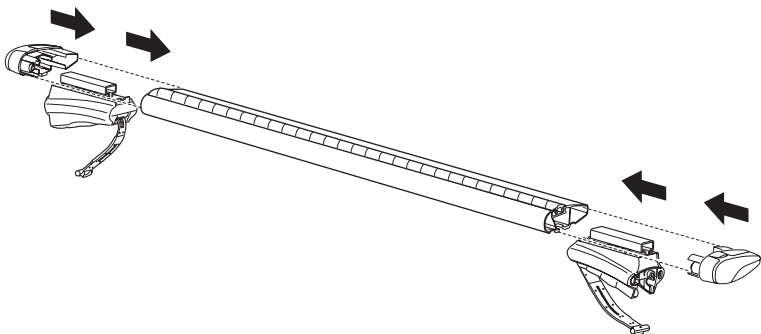
A



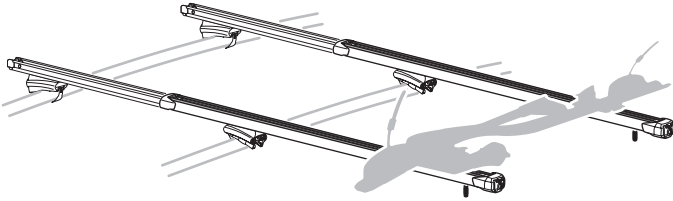
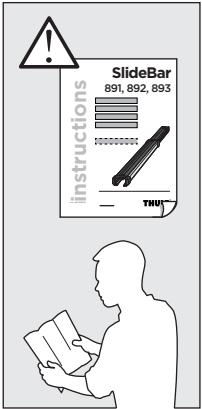
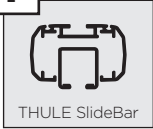
B



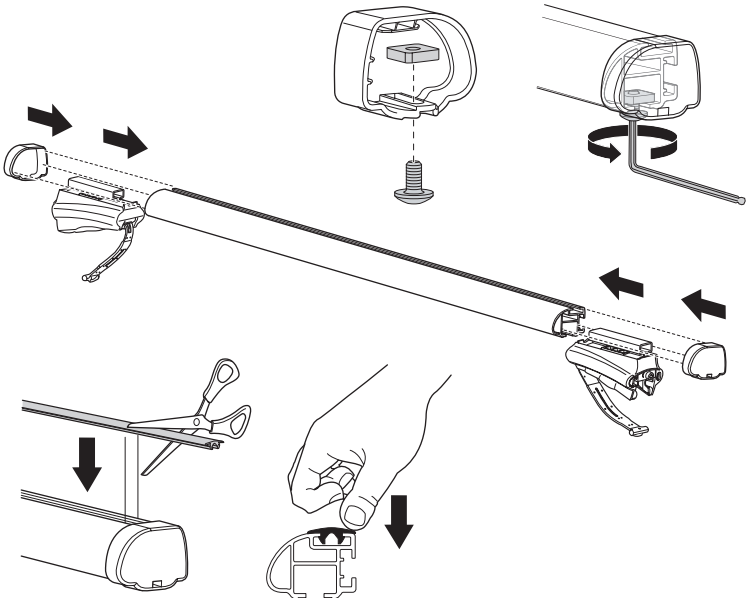
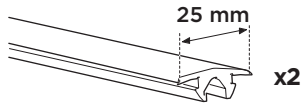
C



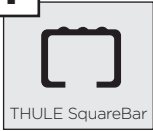
1



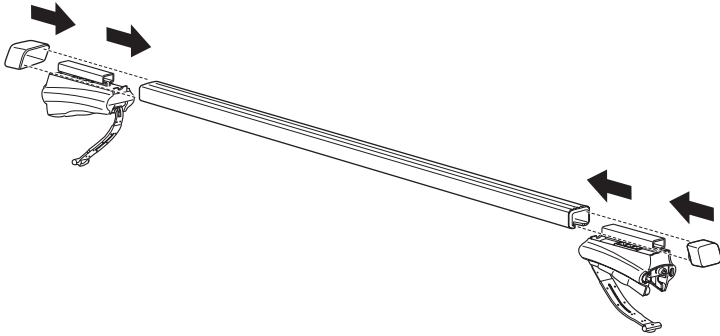
1



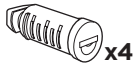
1



x4



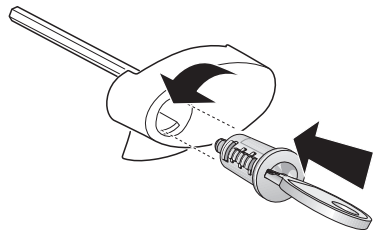
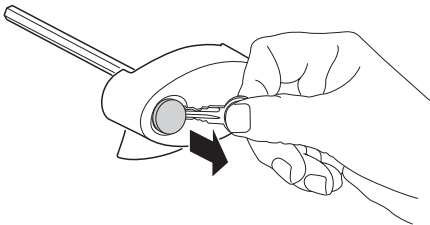
2

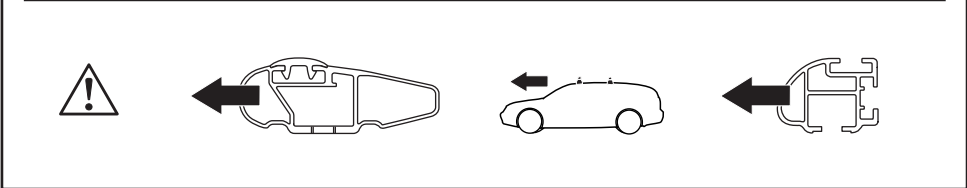
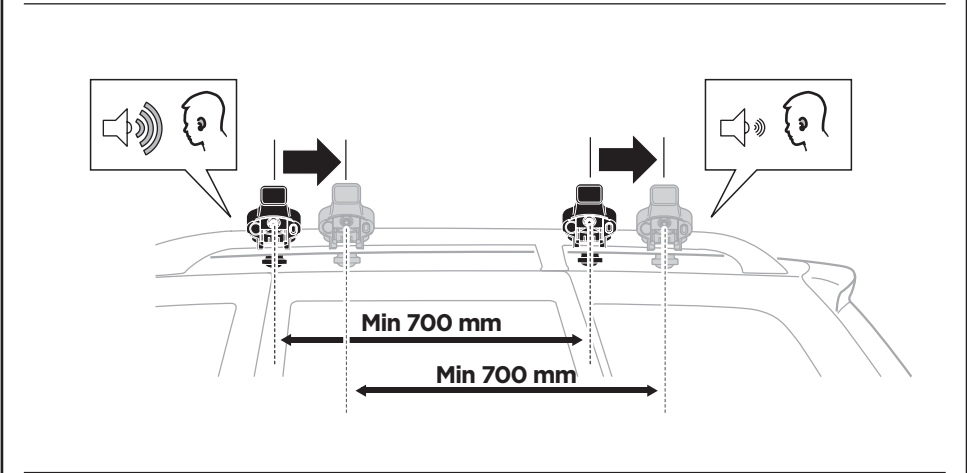
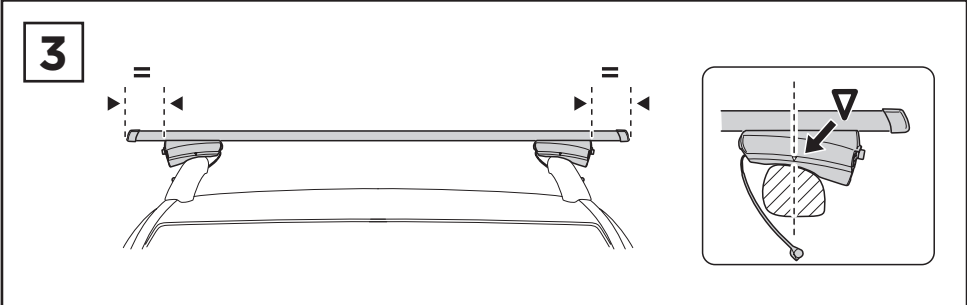
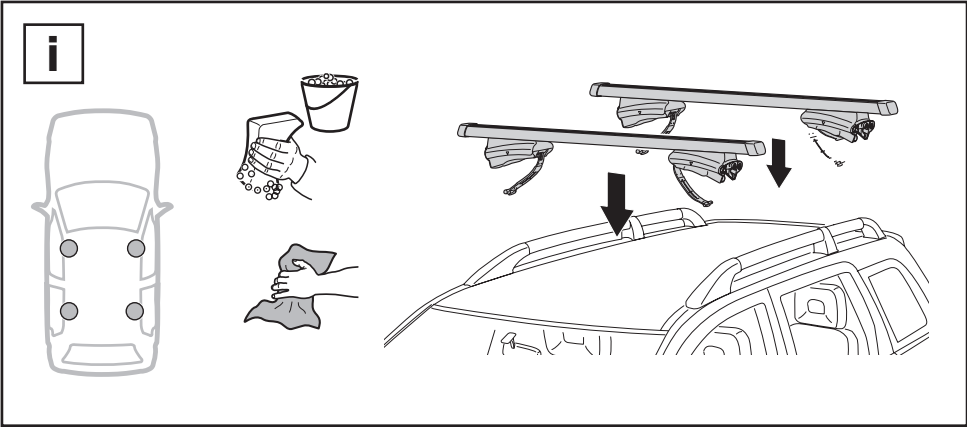


x4

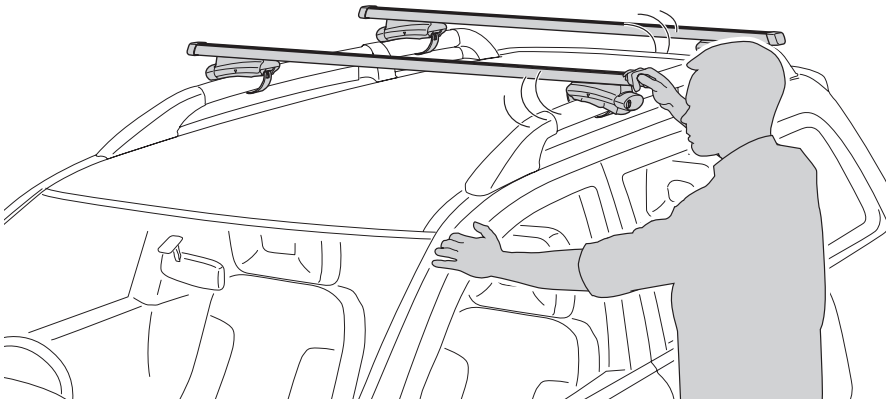
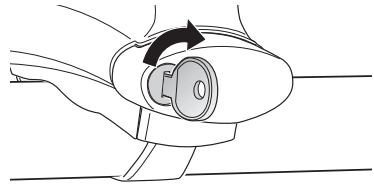
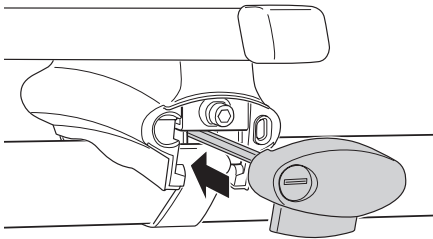
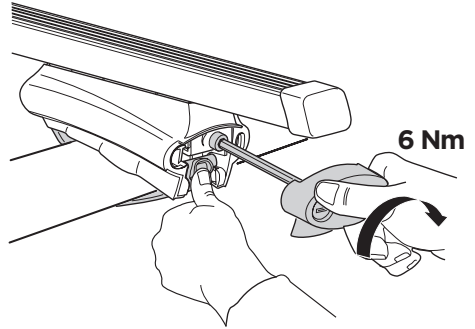
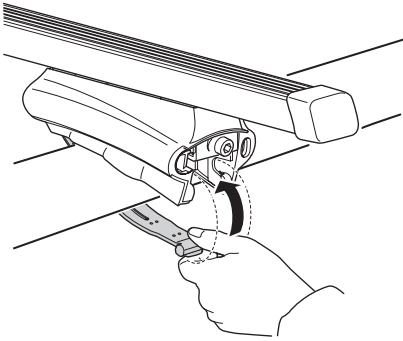


x2



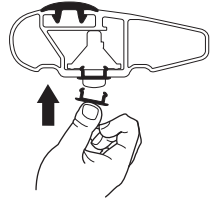
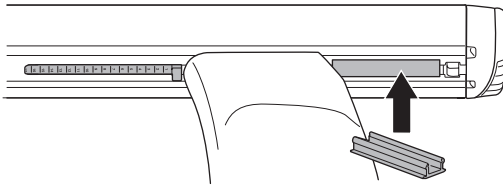
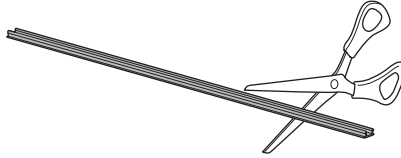
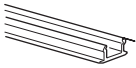


4

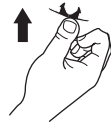
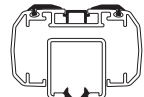
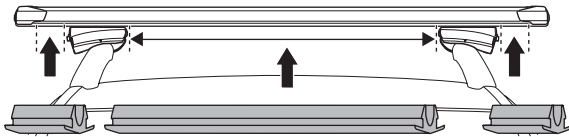
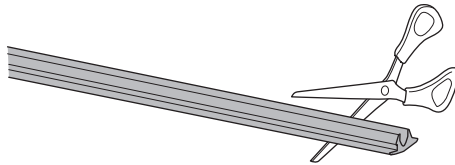
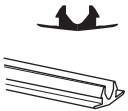




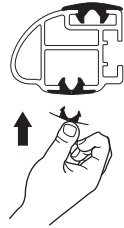
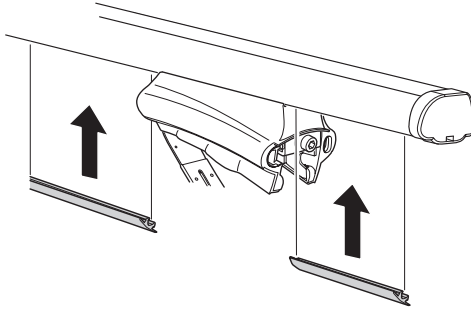
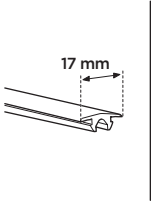
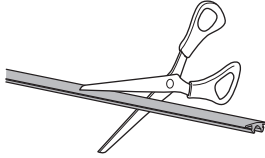
THULE WingBar



THULE SlideBar

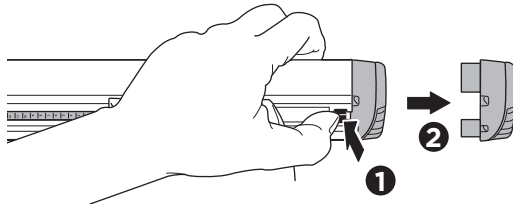
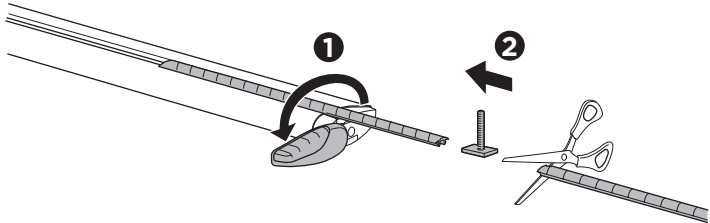




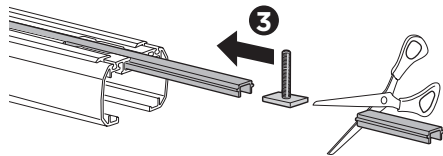
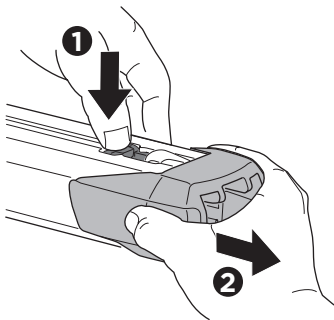




THULE WingBar

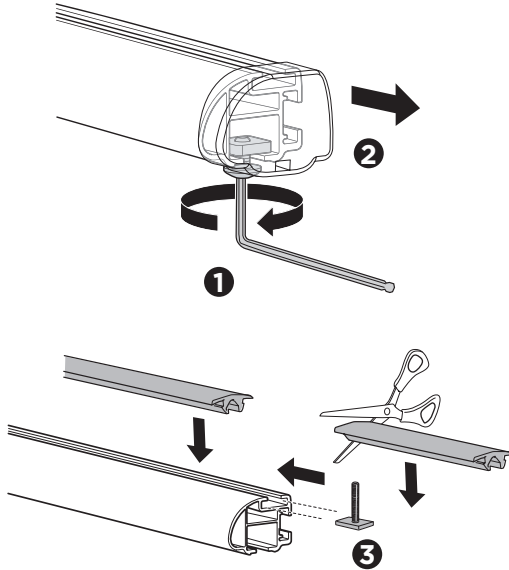


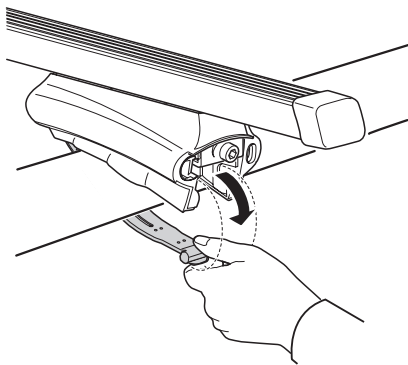
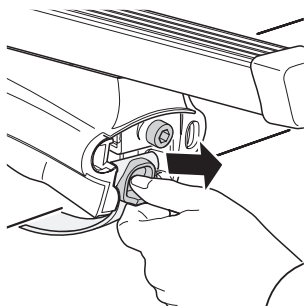
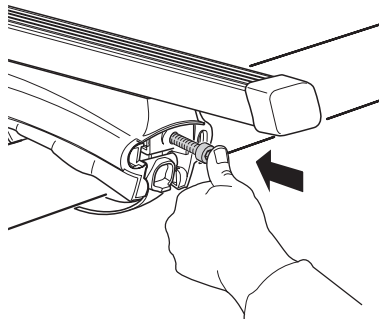
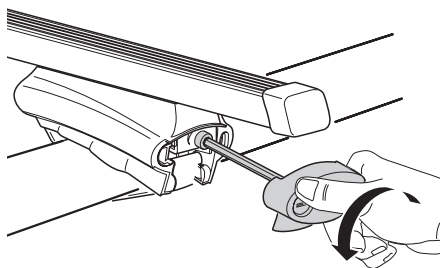
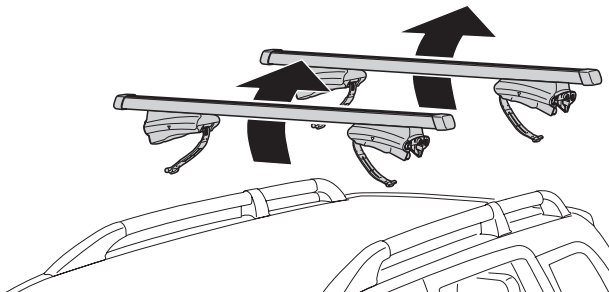
THULE SlideBar



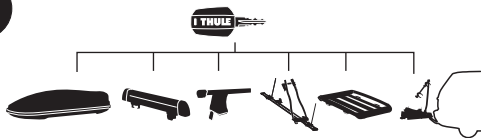


THULE ProBar





## Thule One-Key System



544 (x4)

596 (x6)

588 (x8)

452 (x12)